



**Innovative Technology**

INTELLIGENCE IN VALIDATION

# SMART Ticket

*“Unique validator and ticket printer”*



- Revolutionary note in/ticket out design
- Unique banknote validator and ticket printer
- Maximises cash efficiency
- Continuous roll tickets



## FEATURES

- Banknote/barcode validator & ticket printer
- Revolutionary design
- Eliminates the need for coin hoppers
- Easy maintenance, free firmware updates
- Tickets are read and verified prior to issue



## BENEFITS

- Eliminates the need for a separate ticket printer
- Lowest machine build cost
- Dramatically reduces operator collection costs
- Future proof - quick & easy updates via USB, flash card, PC and handheld programmer
- Ensures the validity of issued tickets

## Technical Specification

### Power

NV200: 12 - 24V  
SMART Ticket: 24V  
Validating: 1.5A  
Printing: 2.5A  
Peak: 8A

### Interfaces

USB option  
Open collector  
RS232

### Ticket Mounting

Paper Roll Top

### Protocols

SSP

### Ticket Options

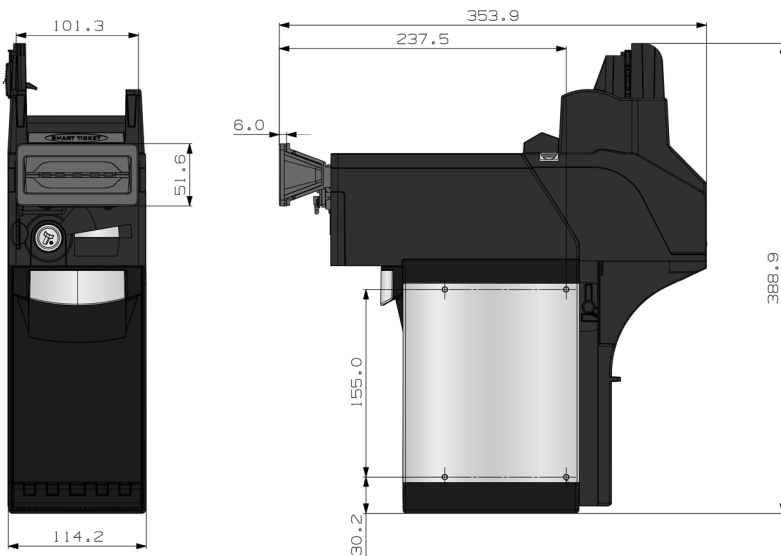
Paper roll 80mm width and up to 6" diameter

### Bezel Options

Standard bezel  
Metal bezel  
Self aligning bezel  
Various illumination options

### Cashbox Options

500 notes  
1000 notes



- Weight: 4.1kg

**VIEW MORE  
NOTE HANDLING  
PRODUCTS >>**



### Find Us

#### Head Office

Innovative Technology Ltd (UK)  
Innovative Business Park  
Derker Street  
Oldham  
OL1 4EQ



### Telephone

+44 (0) 161 626 9999



### Email

sales@innovative-technology.com